



Indirect Fired Heavy Duty ASME Water Heater

120–400* gallon capacity water heater utilizing low-temperature boiler water to heat domestic water to maximize condensing boiler plant efficiencies paired with the HubbellConnect Elite digital controller

A fully packaged system, ready for immediate installation

The HubbellConnect Elite digital controller gives you complete running and temperature control

A full range of styles, sizes, and optional features to meet your exact needs

- HydraStone™ cement lined
- Domestic water recovery from 0–3,660** GPH
- Designed for 150 psi working pressure and hydrostatically tested to 225 psi
- Only non-ferrous surfaces on domestic water wetted side
- ASME Section VIII, DIV 1 and U-stamped, certified and registered

Applications

Schools, office buildings, sports venues, hotels, industrial facilities, nursing homes, hospitals heat recovery systems, and much more.

*150, 500–1,000 gallon capacities available, but not stocked, consult factory.

**Higher recoveries available, please consult factory.



SYNERGY HYDRO SERIES

High performing and heavy duty water heater

The Synergy Hydro BWP is a fully packaged indirect fired ASME water heater utilizing boiler water from a condensing boiler (or other heat sources) as the energy source for heating potable water. By utilizing a plate type heat exchanger, the system can provide close crossover temperature heat transfer at boiler water temperatures below traditional U-tube design. Components on the Synergy Hydro BWP, including the HubbellConnect Elite digital controller, ensure and maintain high performance even in the most demanding situations.

Over 100 years of water heating expertise

Hubbell water heaters are the right choice for your commercial and industrial applications. We have water heating solutions for most energy sources with storage capacities from 1–10,000 gallons — all designed, engineered, and manufactured for reliability and longevity coupled with unparalleled support and service.



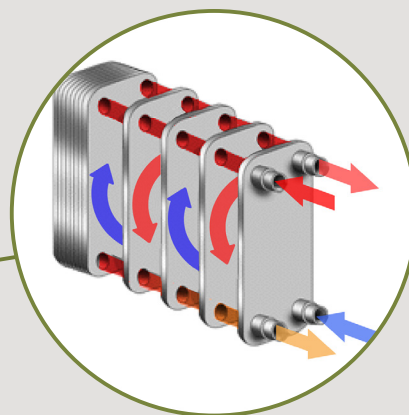
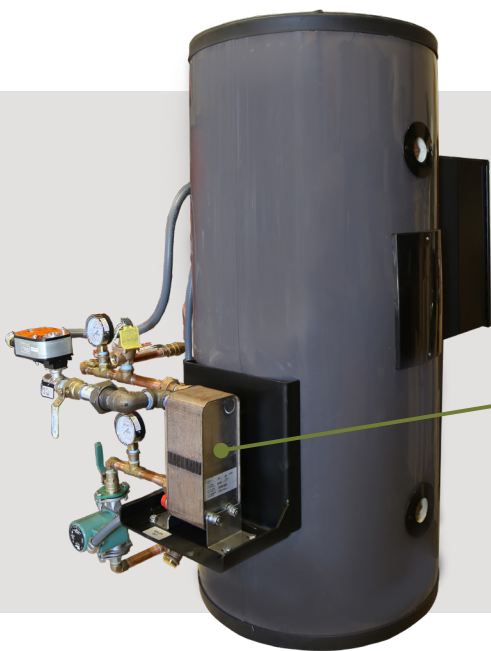
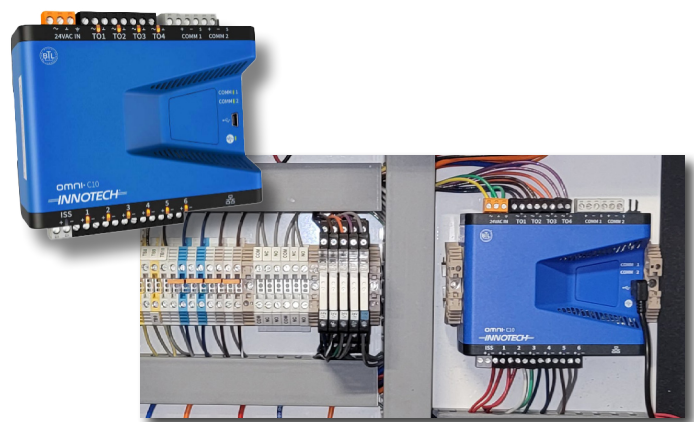
Keeping you in control

The control system on the Synergy Hydro BWP is our newest control innovation — the HubbellConnect Elite.

The system allows complete heater integration into the Building Management System (BMS) right out of the box, via popular digital protocols. The core microprocessor is Hubbell factory programmed for operation sequencing of all heater components. It also offers custom programming and expansion capabilities allowing you to customize the sequence of operation.

The HubbellConnect Elite begins by monitoring and maintaining tank temperature through precise control of the boiler water supply via a control valve or pump activation. It can easily be programmed to control multiple heater plants, external recirculation pumps, and setbacks, as well as the ability to change the setpoint remotely. The HubbellConnect Elite also allows the Synergy Hydro BWP to integrate/signal into the boiler plant or heating source, and control multiple pieces of associated ancillary equipment that are coordinated with the Synergy Hydro BWP operation.

HubbellConnect Elite gives you the ability to integrate or modify either heater or plant operation to suit your design and operational needs.



Brazed Plate Heat Exchanger

Domestic water enters and exits the heat exchanger in a cross counter flow pattern to achieve crossing outlet temperatures.

The Difference: HydraStone™ Cement Lining

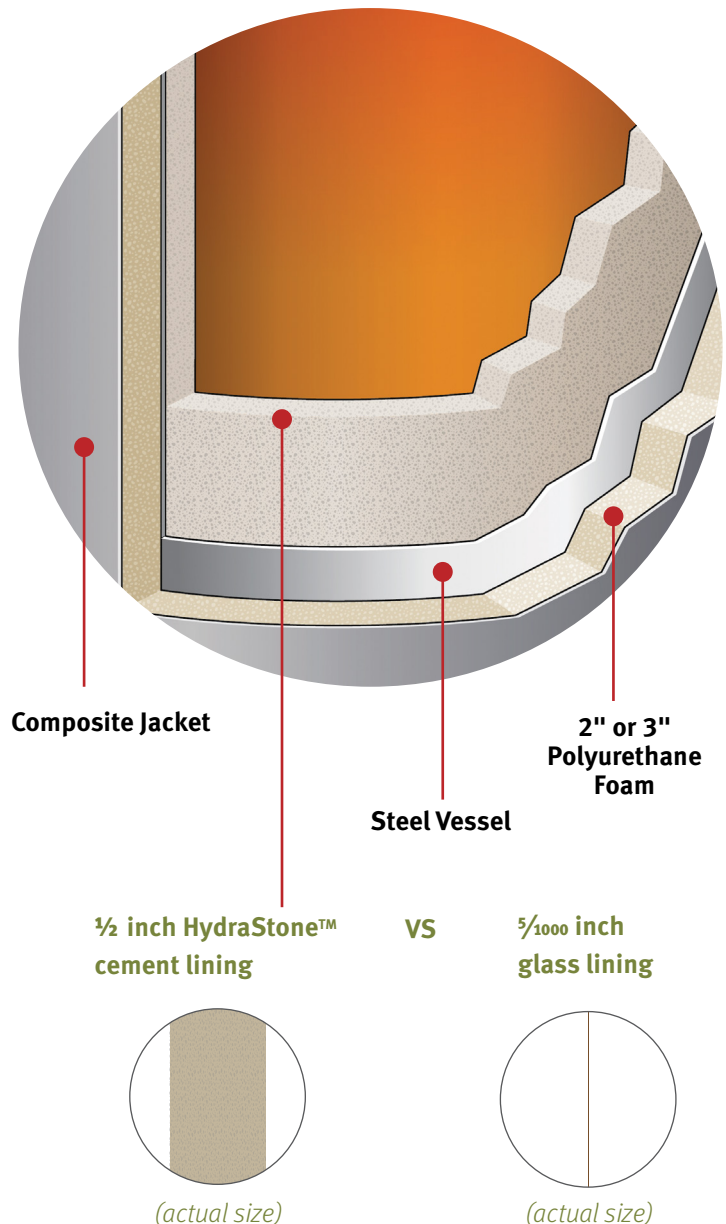
Cement lined tanks offer significant longevity, trouble-free operation and a lower lifetime cost.

The type of protective lining is the single most important feature when determining the quality of any water heater. The ability of a lining to protect the steel tank is primarily based on its thickness and complete coverage of all steel surfaces.

A glass lined tank uses only 5/1000 inches of glass (the thickness of a sheet of paper) which does not cover all internal surfaces. To compensate, all glass lined tanks require a sacrificial anode rod which must be periodically inspected and replaced.

Our tanks are lined with a minimum of 1/2 inches of high density HydraStone cement – 100 times thicker than glass lining. Full coverage is achieved by injecting the precise amount of HydraStone cement into each tank and then centrifugally spinning it at 250 RPM to ensure complete and uniform coverage. This process provides maximum protection from the corrosive effects of hot water. Additionally, cement lined tanks do not require a sacrificial anode, eliminating periodic inspections and replacement costs associated with glass lined tanks.

Our water heater tanks are constructed with solid non-ferrous copper-silicon tank tappings which are impervious to the corrosive effects of hot water. Glass-lined tanks have steel tappings which are vulnerable to corrosion.



Heater Specifications

Tank	HydraStone Cement Lined Steel
Volumes	120–400 gallon standard sizes Other sizes available
Orientation	Vertical
Recovery	Up to 3,660 GPH
Control	2-way electric valve
Automation	BMS Integration
Design WP	150 psi
Design TP	300 psi
Insulation	2" Polyurethane Foam
Tank Warranty	
Standard	5 year Non Pro-Rated
Optional	10 year Non Pro-Rated
Jacket	High Impact Colorized Composite

*Horizontal configuration available. Consult factory.

Standard Features

- All welded steel construction cement lined to minimum 1/2" thickness
- ASME Section VIII, DIV 1, and U-stamped, certified, and registered with the National Board of Boiler and Pressure Vessel Inspectors
- Designed for 150 psi working pressure, 225 psi test, and 300°F design temperature
- Vertical construction (horizontal optional)
- Units designed to heat inlet water from 40°F–140°F when supplied with boiler water from 150°F–90°F
- Integrally packaged 316L S/S, double-wall, brazed plate heat exchanger, see options list for alternatives
- Duplex models are designed so each leg is rated for the system's full capacity for 100% redundancy
- Systems include a standard 5-year non-prorated warranty for tank and 1-year component warranty
- Factory packaged with isolation valves for servicing of recirculation line
- All components are factory piped, tested, and ready for process connections
- All domestic wetted components are non-ferrous or lined with a protective barrier



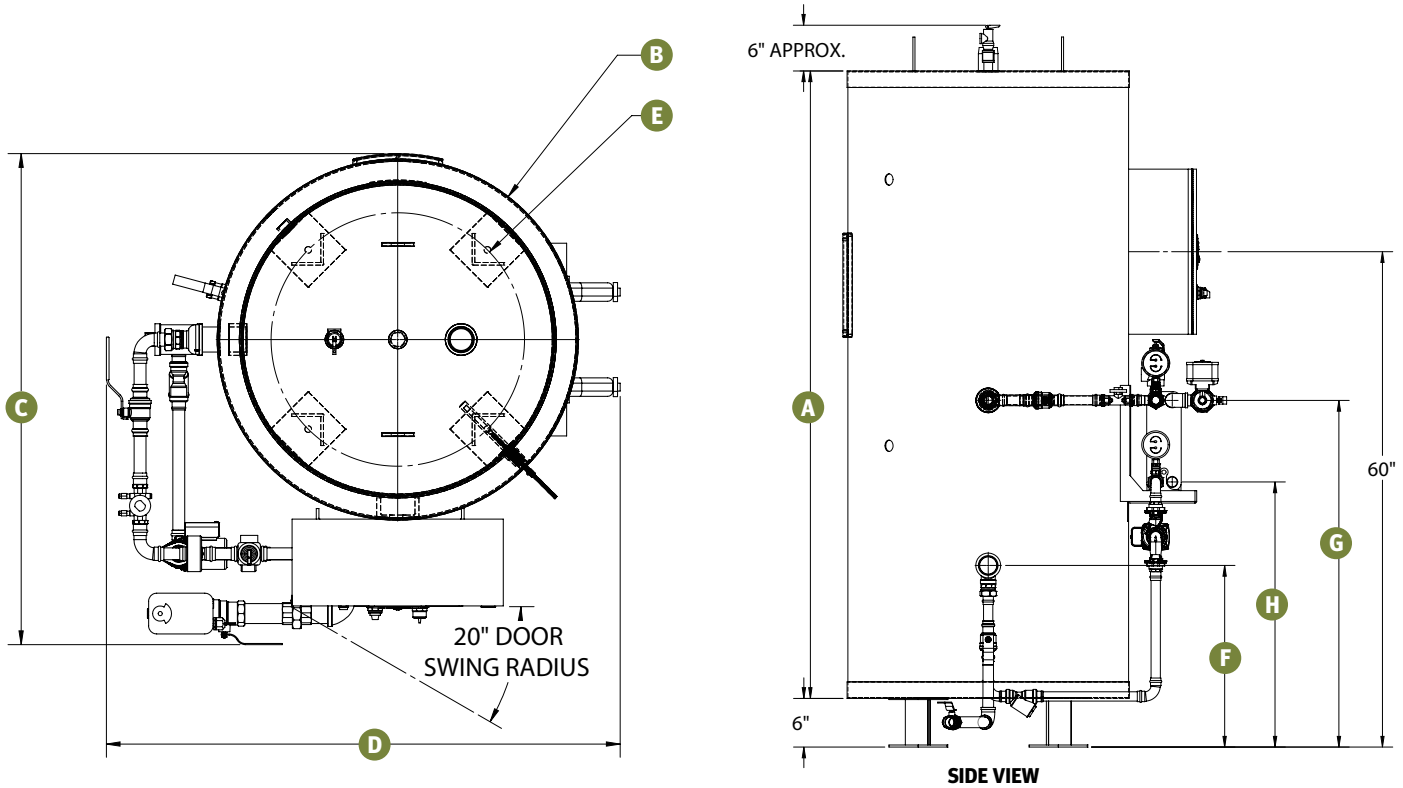
HubbellConnect Elite Standard Features

- “On/Off “ manual power switch with remote shutdown
- Motor/pump control starter circuits with pump “running” indications
- Manual selector switch for pump (HAND-OFF-AUTO)
- Modulating control valve with 2-10VDC actuator
- Four (4) SSR control circuits for control relays (pumps) or ancillary equipment
- Thermistor technology (10K, NTC)
- Two (2) temperature control circuits
 - Adjustable set point temp
 - Adjustable high limit temp
- Independent hi-limit system
 - Manual reset required
 - Local indication
 - Dry contact relay indication for external alarm
- Human Machine Interface (HMI)
 - Local alarm(s)/fault indication
 - Reset alarms
 - Adjustable set point on High limit temps
 - Display tank / high / low point temps
 - Real time clock (RTC independent to World Clock)
 - Pump indications and manual controls



Dimensions

With single wall BPHE and standard leg support

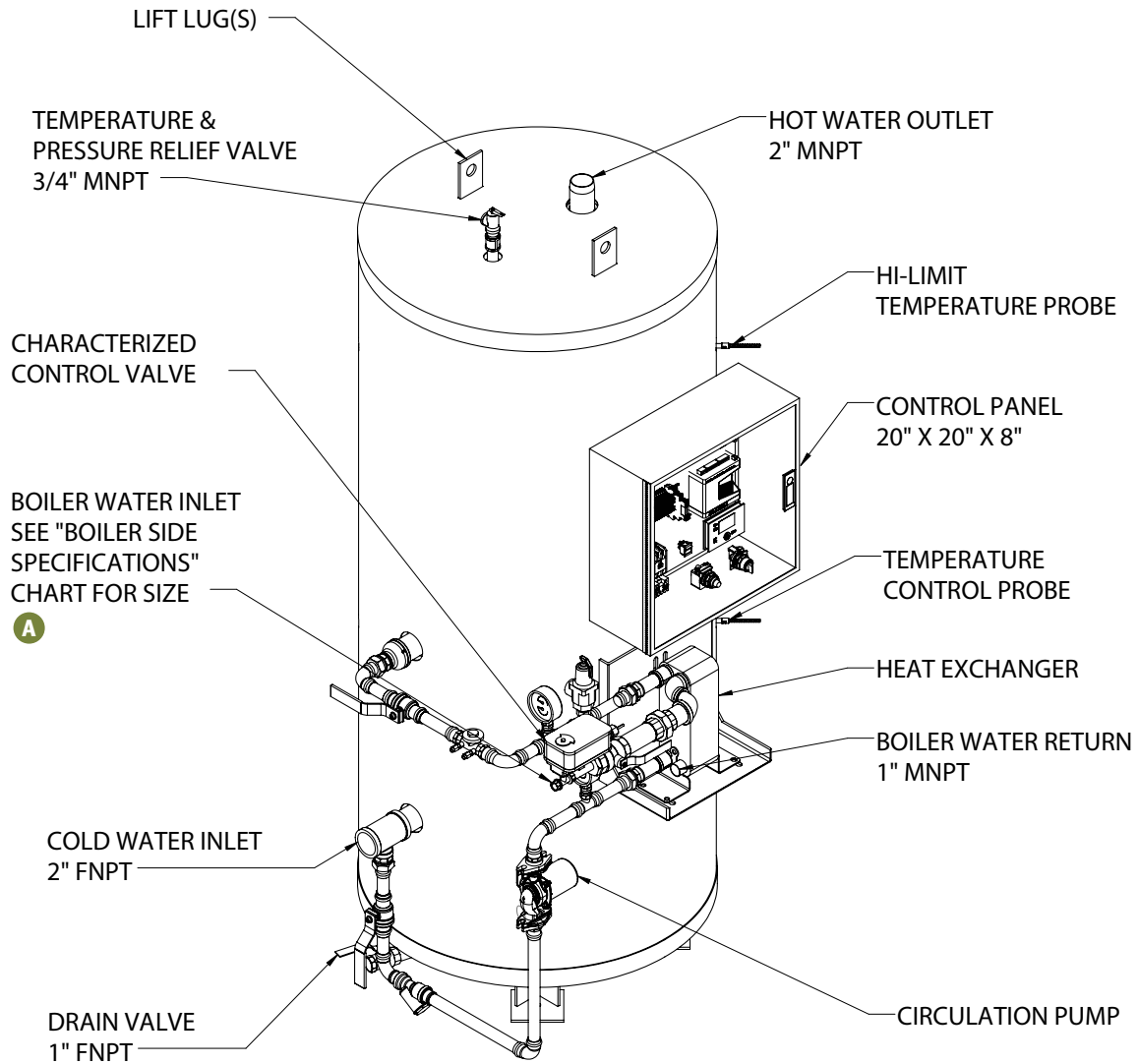


Note: Welded Steel Skid option adds 9" to overall height of unit

Storage Capacity* (Nominal Gal.)	Dimensions (inches)							
	Jacketed Height "A"	Jacketed Diameter "B"	Depth "C"	Width "D"	Support Bolt Circle "E"	Tank Inlet Height "F"	Boiler Inlet Height "G"	Boiler Outlet Height "H"
120	66	28	39	39	18	26	42	24-½
200	76	34	49	45	24	22	42	32
250	68	40	55	51-½	30	22-½	40	30
300	82	40	55-½	50-½	30	24	42	32
400	83	46	57	61	36	28	44	34

*150, 500–1,000 gallon capacities available, but not stocked, consult factory.

All information is subject to change without notice. Consult factory for submittal drawings.



Domestic Recovery Rating (GPH at 100°F Temp Rise)	Boiler Water Inlet Size (FNPT) "A"
0-300	½"
301-540	¾"
541-600	1"
601-840	1"
841-1260	1-¼"

Domestic Recovery Rating (GPH at 100°F Temp Rise)	Boiler Water Inlet Size (FNPT) "A"
1261-1800	1-½"
1801-2820	2-½"
2821-3300	2-½"
3301-3660	2-½"

All information is subject to change without notice. Consult factory for submittal drawings.

Synergy Hydro BWP Model Number Designation

MODEL	MODEL NUMBER*	TANK	RECOVERY RATE** Based on corresponding 100°F temp rise (GPH)	ARRANGEMENT	OPTIONAL EQUIPMENT
BWP	120	SL = HydraStone cement lined tank	0300 – 0-300	1 = Simplex 2 = Duplex	Write/type optional equipment code in the gray box below in alphabetical order. For multiple options separate codes with a dash (–)
	200		0540 – 301-540		
	250	BL = unlined carbon steel	0600 – 541-600		
	300	SS = Stainless steel 316L	0840 – 601-840		
	400		CN = Solid Copper-Nickel		
			1800 – 1261-1800		
			2820 – 1801-2820		
			3300 – 2821-3300		
			3660 – 3301-3660		

BWP

Example: BWP300SL-05401-C45

Synergy Hydro BWP with 300-gallon ASME cement lined storage tank. Recovering a maximum of 540 GPH at a 100°F temperature rise in a simplex arrangement. The water heater will be equipped with an optional 3-way boiler control valve. All other features will be the standard offering.

*Stocked sizes shown, other sizes available. Consult sales representative.

**Recovery ranges exceeding 4,500 GPH are available. Consult sales representative.

Optional Equipment *Optional equipment must be called out in the written specifications, use the codes below.*

Controller

- C5** Low Water Cutoff
- C31** Leak Detection - Includes Sensor Pad and Dry Contact for BMS Notification
- C41** Communications for Integrated Control Systems (Specify IP or MS/IP)
- C42** Single Solenoid Safety System (Closes B.W. Inlet in Event of Hi-Limit Trip)
- C43** Remote Start/Stop
- C44** HVAC Pump Enable
- C45** 3-Way Boiler Control Valve
- C46** Heater Exchanger Fouling Indication (Pump DPSH)
- C47** Touchscreen Display
- C48** Audio Fault Alert

Electrical

- E2** Indicating Lamps (Specify Color and What it is Indicating)
- E3** Audible Alarm (Specify Fault)

General

- G1** Combination Temperature & Pressure Gauge: 3.5" Dial, 70°F - 250°F, 0 - 200 PSI, Tank Mounted
- G11** High Pressure, Domestic (250 PSIG, Includes Tank)
- G12** High Pressure, Boiler Side (250 PSIG)
- G13** Fully Packaged Skid Assembly

- G14** Integration of User Specified Pump or Other Components
- G16** NEMA 4X Rating
- G17** NEMA 4 Rating

Heat Exchanger

- H1** Plate & Frame Single Wall Design
- H2** Brazed Plate, Single Wall Design
- H3** Plate & Frame Double Wall Design

Vessel

- V3** 3" Polyurethane Foam Insulation
- V15** Additional 3/4" FNPT Tappings
- V16** Additional 1-1/2" FNPT Tappings
- V20** Integrally Welded Seismic Attachment Points
- V21** Horizontal Construction
- V23** 304 Stainless Steel Protective Outer Jacket (Painted Upon Request)
- V24** Field Removable 304 SS Jacket
- V25** Field Removable 316L SS Jacket
- V26** Field Removable Galvanneal Jacket
- V40** Flanged Inlet and Outlet Connections (ANSI Class 150, Please Specify Size)
- V43** Horizontal Shipping Saddles (Required on All Vertical Models with Crated Shipping Dimension Over 96" High)

*Please note: Optional equipment may impact overall dimensions and weight. Please request submittal drawing from factory.

Available Accessories

10-year Warranty: 10-year non pro-rated tank warranty, specify part number "VESSEL WARRANTY"

All information is subject to change without notice. Consult factory for submittal drawings.

H1001-C-20241030