



ENDURANCE SERIES

Compact Point-Of-Use Electric Water Heater

**1 gallon, 450w or 1kW,
120 Volt, 1 Phase**

Stainless Steel tank and a low watt density heating element provide long service life

Reliable, trouble-free design

Space saving design requires no floor space and is acceptable for use in ADA compliant installations

- Low amperage design reduces peak power consumption and installation costs
- 304 Stainless Steel Exterior
- Point-of-use installation installs directly to cold water piping
- Thermostat provides accurate temperature control
- No flow restrictor or special aerator required
- Easily installed using 120V 1 phase power

Applications

Food prep facilities, remote locations, restaurants, bars, food carts/trucks, lavatory sinks, and much more.



CE110

Reliability, durability, longevity...the CE110

The Hubbell Endurance CE110 is a compact point-of-use water heater that does not take up any floor space and eliminates the need for long pipe runs from a central heater. It is simple to install, operates with all types of fixtures, does not require a flow restricting device and will not alter the performance or appearance of a fixture. The Endurance CE110 is ideal for many commercial and industrial applications where point-of-use hot water is required. Its rugged construction ensures reliable and trouble free operation.

Over 100 years of water heating expertise

Hubbell water heaters are the right choice for your commercial and industrial applications. We have water heating solutions for most energy sources with storage capacities from 1–10,000 gallons — all designed, engineered, and manufactured for reliability and longevity coupled with unparalleled support and service.



Heater Specifications

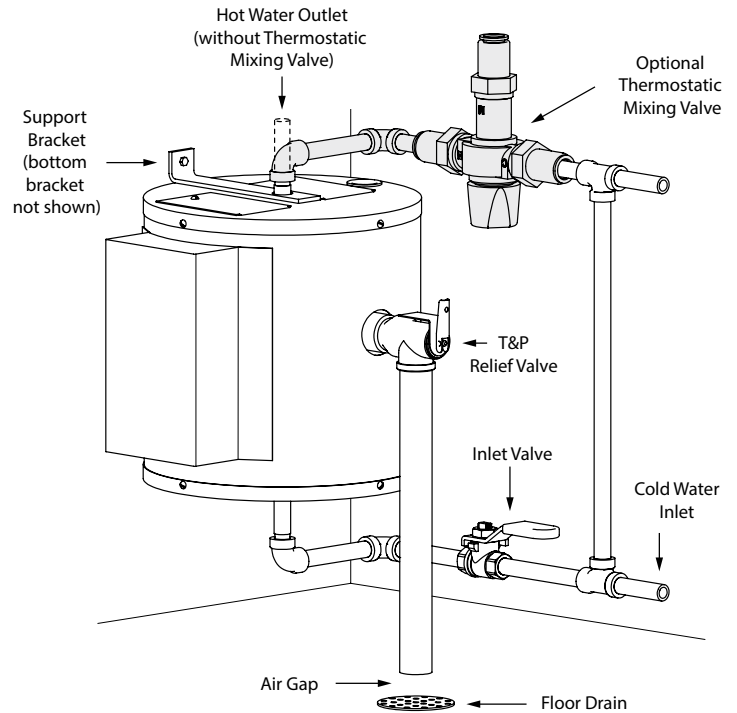
	Watts	Amps	Volt	Phase	Recovery Rate	Recovery Rate
					No Thermostatic Mixing Valve	With Thermostatic Mixing Valve
CE110	1000	8.3	120	1	6 GPH	11 GPH
CE110-450W	450	3.8	120	1	3 GPH	6 GPH

Tank	Stainless Steel
Capacities	1 gallon
Orientation	Vertical
Voltage	120 Volt
Phases	1 Phase
Connection Size:	
Inlet	1/4" Male NPT
Outlet	1/4" Male NPT
Relief Valve	3/4" Female NPT
Thermostat Range	110–170°F, graduated 1–10
Hi-Limit	190°F (fixed)
Design WP	150 psi
Design Test Pressure	225 psi
Element	Copper Sheathed
Insulation	1" Fiberglass
Warranty	
Parts/Labor	1 year
Tank	5 year Non Pro-Rated
Jacket	304 Stainless Steel
Shipping Weight	15 lbs

Note: Alternate voltages available, consult factory

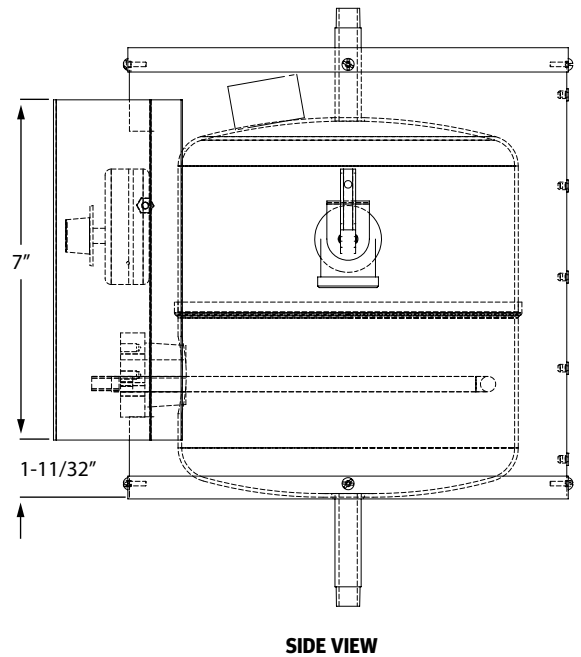
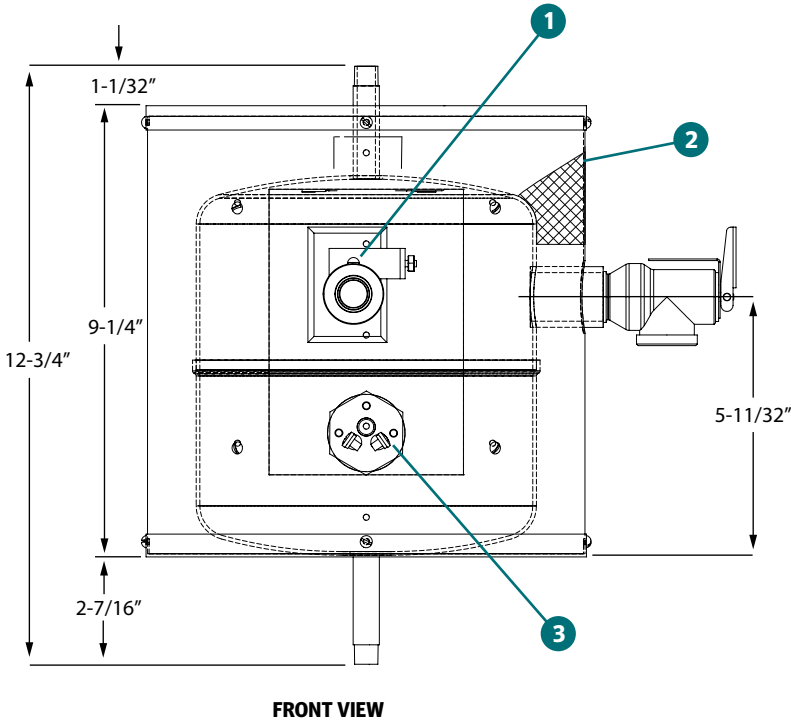
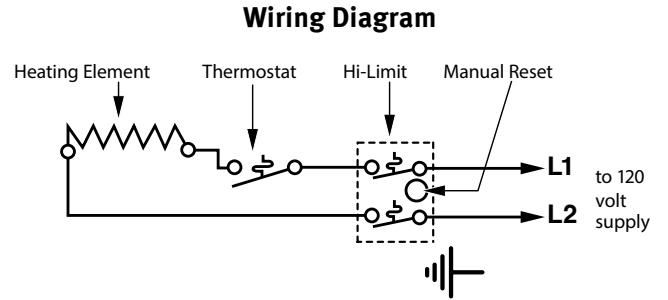
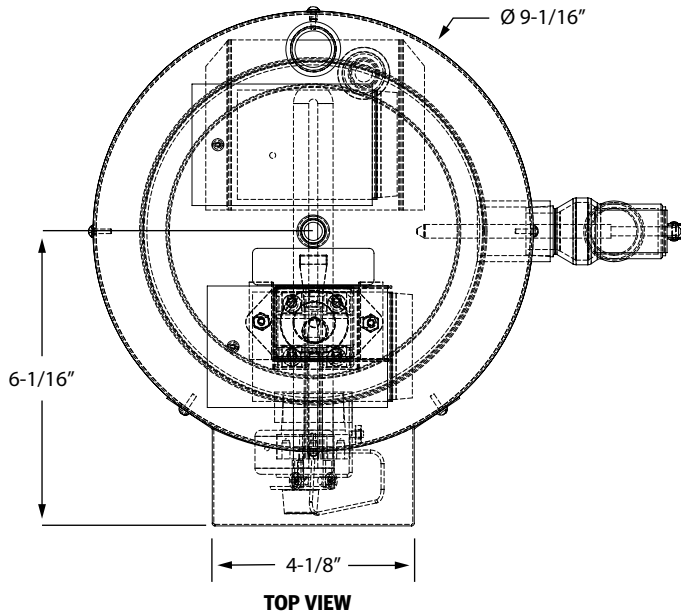
Standard Features

- Unit supplied with two (2) wall mounting brackets
- Unit supplied with T&P relief valve set at 150 psi and 210°F



All information is subject to change without notice. Consult factory for submittal drawings.

Dimensions



PC Number	Description
1	Thermostat 110–170°F
2	Insulation Fiberglass 1" Thick
3	Heating Element — 1000 Watts, 120V

All information is subject to change without notice. Consult factory for submittal drawings.

Available Accessories

10-year Warranty: 10-year non pro-rated tank warranty, specify part number "VESSEL WARRANTY"

Mixing valve – 1/2", 80-120F° part number "LFMMVM1-UT ASSE1070"

Optional Equipment

Note: *Optional equipment must be called out in the written specifications, using the codes below.*

Electrical

E10 Factory supplied 6 foot long grounded power cord

Please note: Optional equipment may impact overall dimensions and weight. Please request submittal drawing from factory.

