

## Point-Of-Use Water Heater

**Compact, 2.5 gallon water heater designed to provide instant hot water in remote locations where space is limited**

**Electronic temperature controller with digital display**

**Long lasting, all stainless-steel tank**

**120, 208, 240, and 277 single phase voltages available**

**Fully insulated for maximum efficiency**

**Adjustable temperature range from 50°F – 160°F**

- 6 foot power cord and grounded plug (on 120V models up to 1500W)
- Easy to install and maintain
- Built in drain provided for easy maintenance
- Fast recovery rate for better performance
- 10-year non-pro-rated tank warranty

### Applications

Correctional facilities, wet bars, coffee stations, limited space washrooms, lavatory sinks, remote locations, food carts, OEM applications and more.



CE25

### A long lasting, trouble-free water heater

The Hubbell Endurance CE25 is a compact, point-of-use water heater that is the perfect solution for remote locations where hot water is necessary, but space is limited. The CE25 has a 2.5-gallon storage tank and multiple kilowatt options available. Simple plug and play operation with 120V models make the CE25 easy to use and install, while an electronic temperature controller and digital display provides accurate, reliable, and energy efficient operation. The rugged construction of the CE25 also ensures trouble-free operation and a long lasting, trustworthy source for hot water.

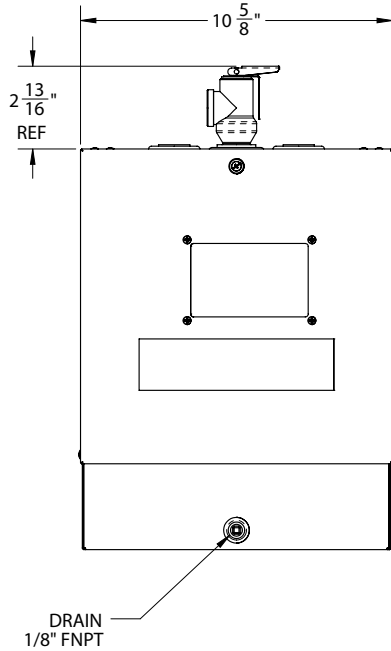
### Over 100 years of water heating expertise

Hubbell water heaters are the right choice for your commercial and industrial applications. We have water heating solutions for most energy sources with storage capacities from 1–10,000 gallons — all designed, engineered, and manufactured for reliability and longevity coupled with unparalleled support and service.

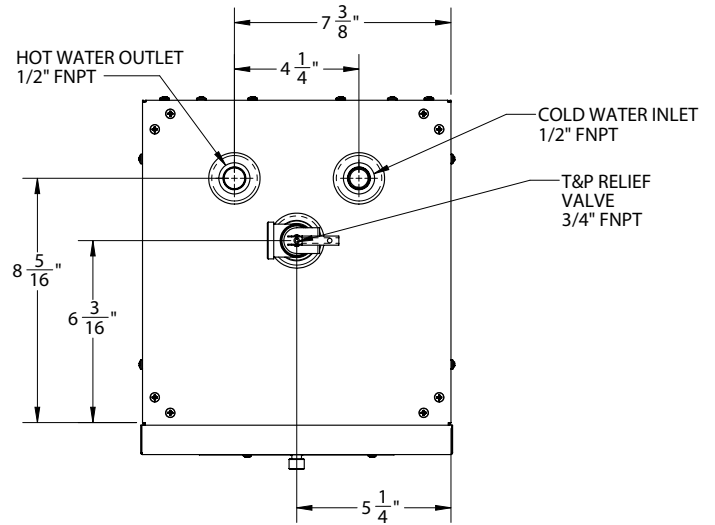
## Dimensions

Sample dimensions are for a CE25-1000RS

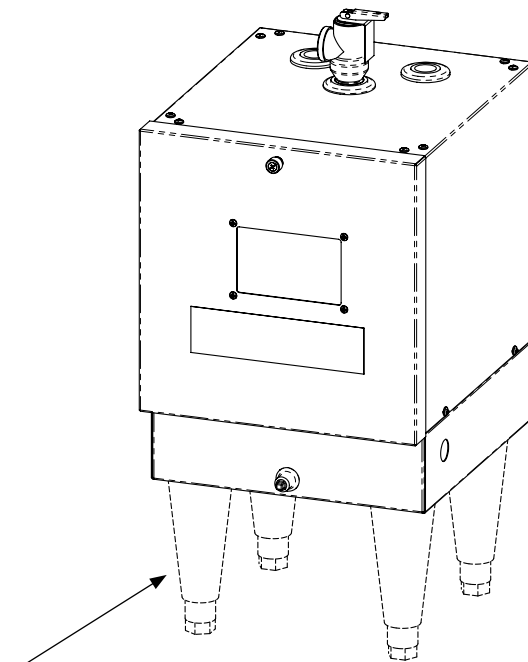
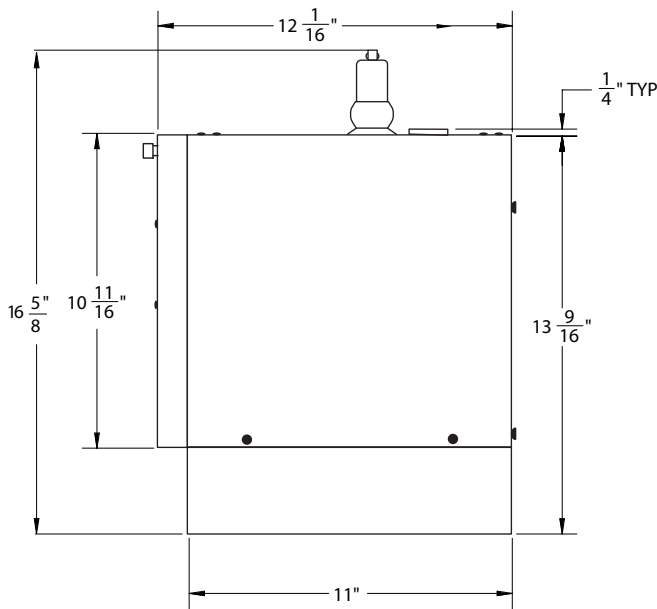
**FRONT VIEW**



**TOP VIEW**



**SIDE VIEW**



Standard accessory 6" plastic legs, shown installed

All information is subject to change without notice. Consult factory for submittal drawings.

## kW and Amperage Selection Chart

(Amperage shown in chart below indicates available models)

kW	1 Phase Voltages			
	120	208	240	277
0	6.3	3.6		
1	8.3	5.4	4.2	4.8
1.5	12.5	7.2	6.3	
2	16.7	10.8	8.3	7.2
2.5				9.6
3		14.4	12.5	



## Recovery Rate in GPH at °F Temperature Rise (ΔT)

kW	Wattage	10°F	20°F	30°F	40°F	50°F	60°F	70°F	80°F	90°F	100°F
0	750	30.7	15.3	10.2	7.6	6.1	5.1	4.3	3.8	3.4	3.0
1	1000	41.0	20.5	13.6	10.2	8.2	6.8	5.8	5.1	4.5	4.1
1.5	1500	61.5	30.7	20.5	15.3	12.3	10.2	8.7	7.6	6.8	6.1
2	2000	82.0	41.0	27.3	20.5	16.4	13.6	11.7	10.2	9.1	8.2
2.5	2500	102.5	51.2	34.1	25.6	20.5	17.0	14.6	12.8	11.3	10.2
3	3000	123.0	61.5	41.0	30.7	24.6	20.5	17.5	15.3	13.6	12.3

## Heater Sizing Formula

### Required Variables:

- A. Water usage in GPH
- B. Supply water temp in °F
- C. Desired water temp in °F
- D. Calculate the ΔT (temp rise) by subtracting C - B in °F

### Formula to Determine kW:

$$\boxed{A} \text{ GPH} \times \boxed{D} \text{ } ^\circ\text{F } \Delta T \times 0.00244 = \boxed{\phantom{000}} \text{ kW}$$

All information is subject to change without notice. Consult factory for submittal drawings.

## Endurance Model CE25 Number Designation

MODEL	ELEMENT WATTAGE	VOLTAGE / PHASE	OPTIONAL EQUIPMENT
<b>CE25</b>	750	A = 120-1 RS = 208-1 S = 240-1 W = 277-1 <i>See charts on previous page for availability.</i>	Select option code from above and write code in the grey box below. For multiple options separate codes with a dash (-).
	1000		
	1500		
	2000		
	2500		
	3000		

CE25 — —

### Standard Accessories:

- 6" plastic legs
- Temperature & pressure relief valve
- 6 ft cord and grounded plug (120V models up to 1500 Watts)

### Example: CE25-1500A

Point-of-use 2.5 gallon steel storage tank, 1500 watt, 120 V, single phase, 60 Hz power. Includes optional 10-year non pro-rated tank warranty and additional 3/4" FNPT tapping.

## Optional Equipment

**Note:** Optional equipment must be called out in the written specifications. Use the codes in this section to specify optional equipment below.

### Electrical

**E11** Rocker Switch: Turns Booster On/Off without having to remove cover

### General

**G50** Tempering Valve Kit: Improves temperature control while maximizing efficiency and recovery (installed at factory).

**Please note:** Optional equipment may impact overall dimensions and weight. Please request submittal drawing from factory.

## Available Accessories

**10-year Warranty:** 10-year non pro-rated tank warranty, specify part number "VESSEL WARRANTY"

**Accessories Name**

**Part #**

## Warranty

Hubbell shall warranty all electrical components against defects in workmanship and material for a period of one (1) year from date of start-up, and the pressure vessel for a full five (5) years Non Pro-Rated from date of start-up, provided the unit is started within three (3) months of date of shipment and installed and operated within the scope of the tank design and operating capability. Each water heater shall be shipped with a complete set of installation and operating instructions including spare parts list and approved drawings.