



Ceiling Hung Horizontal Water Heater

19, 30, 40, 55 gallon capacity, all voltages, single or three phase made specifically to be ceiling hung

Space saving horizontal ceiling hung tank requires minimal clearance and no floor space

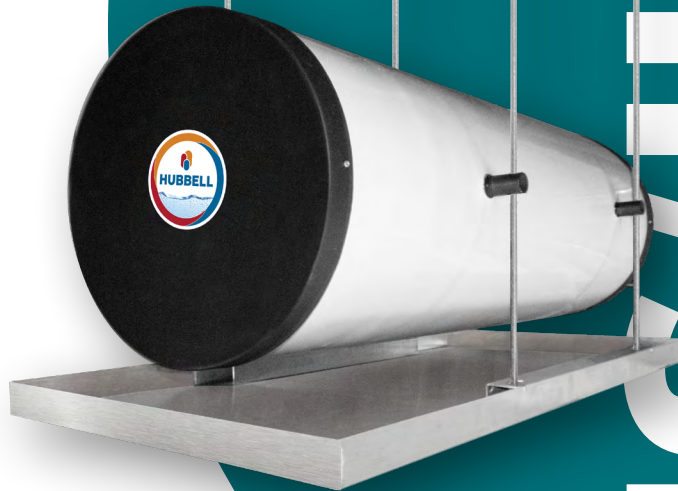
Simple tie rod installation eliminates expensive and cumbersome mounting shelves

HydraStone™ cement lining provides long tank life

- High impact composite jacket cannot rust or corrode and eliminates damage during transit and installation
- Available in the 4 sizes that work best for ceiling hung water heaters
- Immersion adjustable thermostat provides accurate temperature control
- Full five (5) or optional ten (10) year non pro-rated tank warranty

Applications

Commercial residential, office buildings, renovations, tenant work, restaurants, executive showers, multiple lavatories, areas with little or no available floor space, and much more.



ENDURANCE SERIES
EH/SEH

A space saving water heater that's easy to install

Today's design requirements put a premium on floor space for many commercial applications. Designed specifically for installation above a drop ceiling, the Hubbell Endurance EH and SEH water heaters address space utilization issues. The integrally welded mounting assemblies provide quick and efficient job site installation without the need for cumbersome and expensive structural platforms.

Over 100 years of water heating expertise

Hubbell water heaters are the right choice for your commercial and industrial applications. We have water heating solutions for most energy sources with storage capacities from 1–10,000 gallons — all designed, engineered, and manufactured for reliability and longevity coupled with unparalleled support and service.

NOTE: Manufactured in an ISO 9001:2015 facility. ASME option available upon request. BABA & BAA compliance is available upon request.



The Difference: HydraStone™ Cement Lining

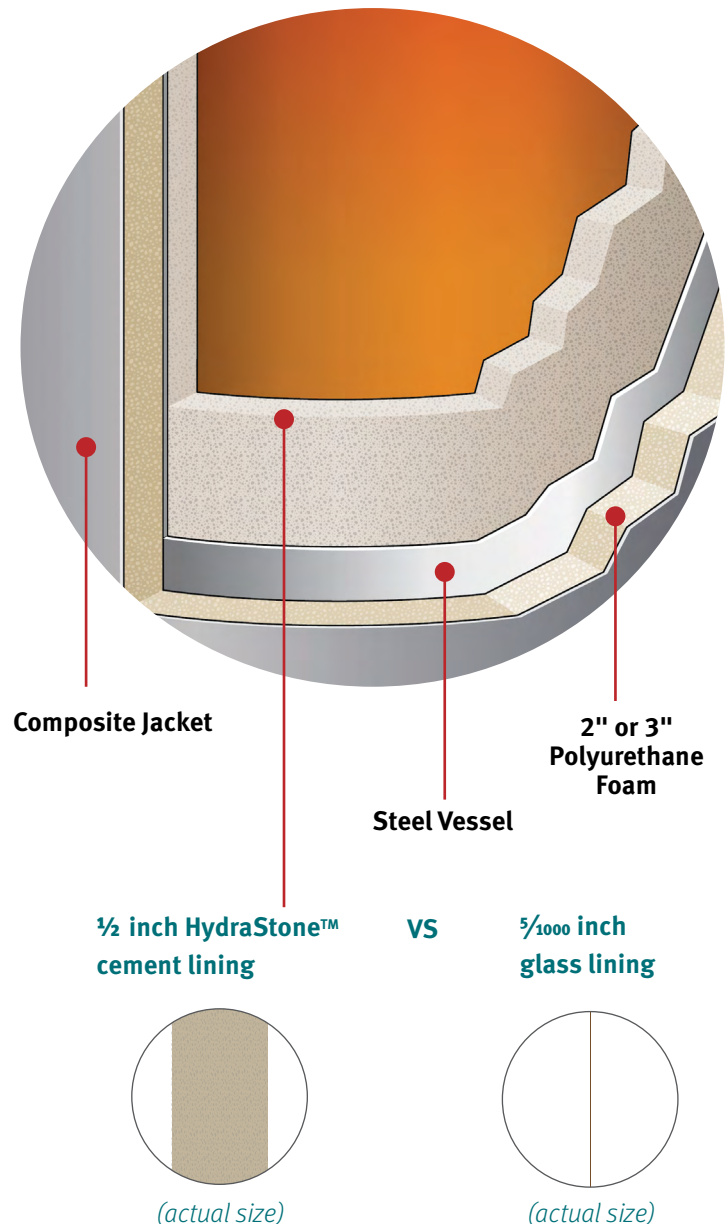
Cement lined tanks offer significant longevity, trouble-free operation and a lower lifetime cost.

The type of protective lining is the single most important feature when determining the quality of any water heater. The ability of a lining to protect the steel tank is primarily based on its thickness and complete coverage of all steel surfaces.

A glass lined tank uses only $\frac{5}{1000}$ inches of glass (the thickness of a sheet of paper) which does not cover all internal surfaces. To compensate, all glass lined tanks require a sacrificial anode rod which must be periodically inspected and replaced.

Our tanks are lined with a minimum of $\frac{1}{2}$ inches of high density HydraStone cement – 100 times thicker than glass lining. Full coverage is achieved by injecting the precise amount of HydraStone cement into each tank and then centrifugally spinning it at 250 RPM to ensure complete and uniform coverage. This process provides maximum protection from the corrosive effects of hot water. Additionally, cement lined tanks do not require a sacrificial anode, eliminating periodic inspections and replacement costs associated with glass lined tanks.

Our water heater tanks are constructed with solid non-ferrous copper-silicon tank tappings which are impervious to the corrosive effects of hot water. Glass-lined tanks have steel tappings which are vulnerable to corrosion.



Heater Specifications

Tank	HydraStone cement lined steel
Volumes	19, 30, 40 and 55 gallons
Orientation	Horizontal
Voltages	120 – 600 Volt
Phases	1Φ or 3Φ
Inlet Size	¾" Female NPT
Outlet Size	¾" Female NPT
Drain Size	¾" GHT
Relief Valve Size	¾" Female NPT
Relief Valve Type	T&P, 210°F, 150 psi
Thermostat Range	110–180°F
Hi-Limit	190°F
Design WP	150 psi
Design TP	300 psi
Elements	1Φ Copper Sheath, 3Φ Incoloy Sheath
Insulation	2" Polyurethane Foam on 19 gallon 3" Polyurethane Foam on 30 gallon and above
Tank Warranty	
Standard	5 year Non Pro-Rated
Optional	10 year Non Pro-Rated
Electrical Warranty	1 Year
Jacket	High Impact Colorized Composite
Finish	White with Black Trim

For horizontal non-ceiling hung commercial and industrial water heaters, see our Endurance E and Endurance SE brochures.

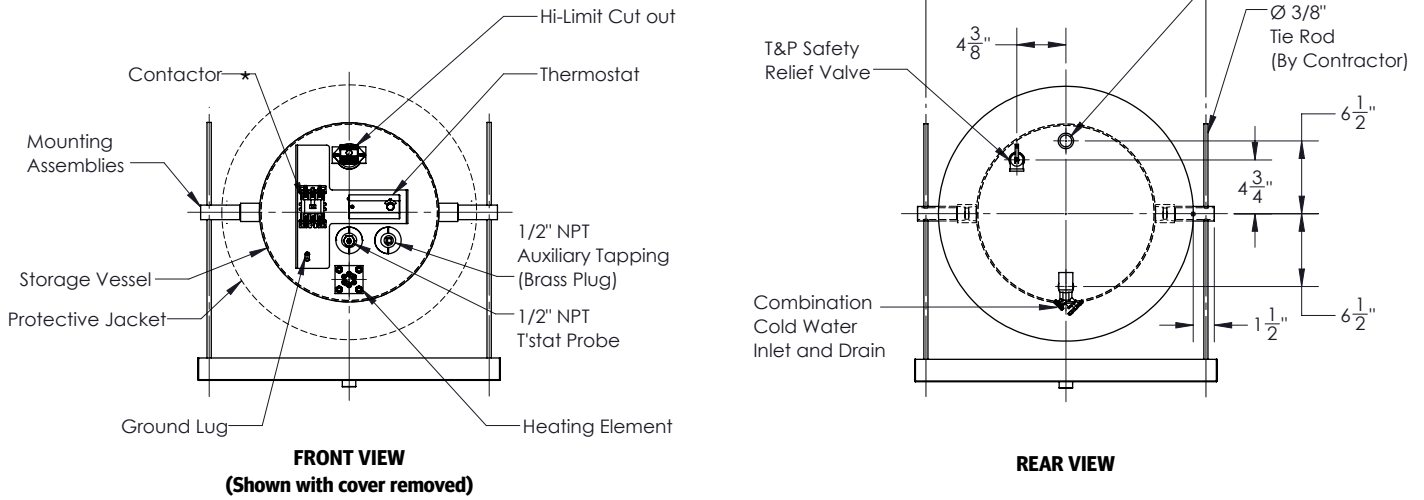
Standard Features

- ½" thick HydraStone cement lining
- Four (4) integrally welded factory installed mounting assemblies
- Commercial grade immersion heating element
- Immersion thermostat (100–180°F range)
- Surface type safety hi-limit cut out with a manual reset button (190°F)
- ASME/CSA rated combination temperature and pressure relief valve set at 150 psi and 210°F
- Polyurethane foam insulation meets or exceeds the requirements of ANSI/ASHRAE/IESNA 90.1
- High impact non-corroding colorized composite protective jacket

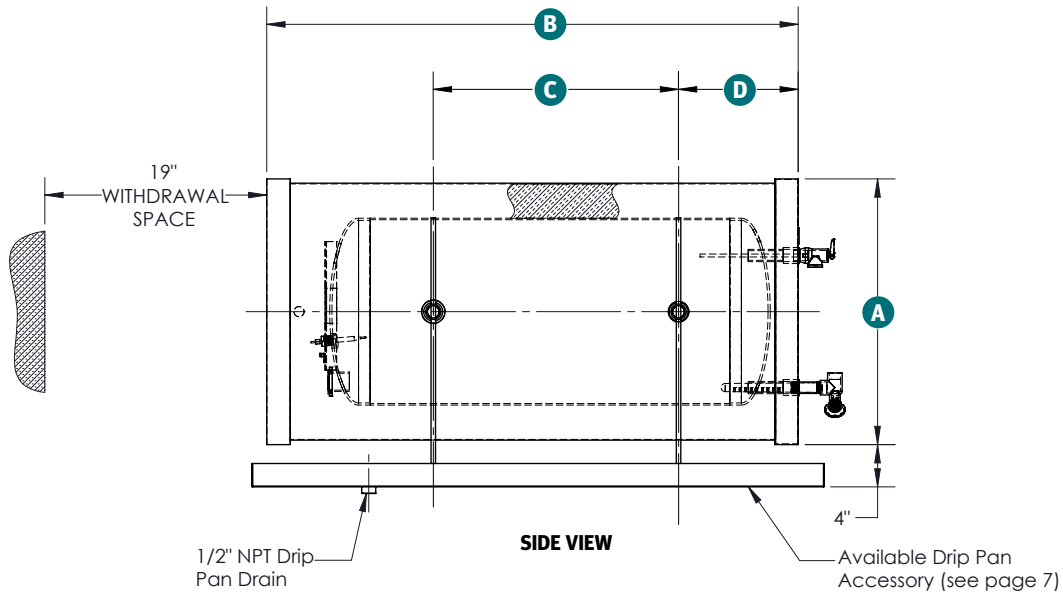


All information is subject to change without notice. Consult factory for submittal drawings.

Dimensions



*Contactor standard on 3 phase models only.



Endurance EH/SEH Dimensional Data

Capacity	Base Model Number		Dimensions (inches)					Dry Weight (lbs.)	Wet Weight (lbs.)
	<= 12 kW	> 12 kW	Overall Diameter "A"	Overall Length "B"	Mounting Dimension "C"	Mounting Dimension "D"	Mounting Dimension "E"		
19	E20H	SE20H	20	37	16	9	22" Approx.	135	300
30	E30H	SE30H	22.75	45.5	21	10.25	25" Approx.	170	420
40	E40H	SE40H	22.75	63	35.75	12	25" Approx.	240	573
55	E55H	SE55H	25	56	31.25	10.5	26" Approx.	329	788

Note: Other sizes available, consult factory.

All information is subject to change without notice. Consult factory for submittal drawings.

EH 20, 30, 40 & 55 Gallon kW and Amperage

(Amperage shown in chart below indicates available models)

kW	1 Phase Voltages					3 Phase Voltages		
	120	208	240	277	480	208	240	480
1		5	5	4				
1.5	13	8	7	6				
2	17	10	9	8	5	6		
2.5	21	13	11	10	6			
3		15	13		7	9	8	
3.5		17	15	13	8			
4		20	17	15	9	12	10	5
4.5		22	19	17	10			
5		25	21	19	11	14	12	6
6		29	25	22	13	17	14	
7				26	15			15
8		39	34	29	17	22	19	10
9		44				25		
10			42				24	
11		53		40	23			13
12			50					

SEH 20, 30, 40 & 55 Gallon kW and Amperage

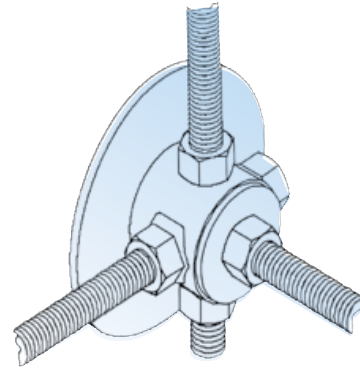
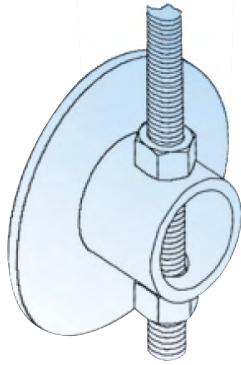
(Amperage shown in chart below indicates available models)

kW	1 Phase Voltages					3 Phase Voltages		
	120	208	240	277	480	208	240	480
12.5					27			
13					28			
14				51		39	34	17
15								
16								20
17						47		21
19					40		46	23
21								
23								
25								31
28								
30								37
34								
37								
40								49

*277 volt available in Single Phase only.
For alternative voltages and kilowatt ratings please consult factory.

Note: 1 kW will heat 4.1 GPH at a 100°F Rise (40–140°F)

All information is subject to change without notice. Consult factory for submittal drawings.



Standard Mount

The standard mount for the Endurance EH/SEH allows the tank to be hung based on your requirements, making installation easy. The water heater is tucked into the space between ceiling joists instead of taking up valuable and limited space. The mount is welded to the tank, all that is required by the contractor is a 3/8" diameter tie rod.

Sway Resistant Mount

In areas subject to seismic activity, the optional sway resistant mount provides security and stabilization.



Endurance EH/SEH Model Number Designation

MODEL	MODEL NUMBER	HORIZONTAL	STYLE	See chart on page 5		TANK	VOLTAGE / PHASE	OPTIONAL EQUIPMENT
				kW				
E SE	20	H	Leave blank for standard A = ASME	1	10	SL = HydraStone cement lined SS = 316L Stainless steel CN = Copper/nickel <i>CN and SS tanks come standard with galvanneal jacket and fiber-glass insulation.</i>	A = 120/1 RS = 208/1 S = 240/1 W = 277/1 T4S = 480/1 Balanced 3Φ R = 208/3 T = 240/3 T3 = 380/3 T4 = 480/3 T6 = 600/3	Write/type optional equipment code in the gray box below in alphabetical order. For multiple options separate codes with a dash (-)
	30			1.5	12.5			
	40			2	13			
	55			2.5	14			
				3	15			
				3.5	16			
				4	17			
				4.5	19			
				5	20			
				6	22			
	8							
		H						

Example: E20H-4.5SLS-C2

A horizontal ceiling hung EH model with 19 gallons storage and a 4.5 kW heating element in a cement lined tank rated for 240 V, 1 phase power with optional low range immersion thermostat.

Optional Equipment Optional equipment must be called out in the written specifications, use the codes below.

Controller

- C2** Low Range Immersion Thermostat (30°F - 110°F)
- C31** Leak Detection - Includes Sensor Pad and Dry Contact for BMS Notification
- C32** Leak Detection - Includes Sensor Pad, Dry Contact for BMS Notification, and 3/4" Solenoid Valve
- C35** BACnet Communication Module with T1000 Digital Controller

General

- G7** Sway Resistant Mounts to Provide Seismic Attachment Points for X, Y, and Z Axis Mounting
- G8** Plenum Rated Design. Painted Galvanized Steel Jacket in Lieu of Composite

Please note:

Optional equipment may impact overall dimensions and weight. Please request submittal drawing from factory. Larger storage capacity tanks available, please consult factory.

Available Accessories (Fill out form below to order accessories.)

10-year Warranty: 10-year non pro-rated tank warranty, specify Part # "VESSEL WARRANTY"

Drip Pan:

For EH/SEH20, specify Part # 704-00003-00

For EH/SEH40, 2" insulation, specify Part # 704-00033-00

For EH/SEH30, specify Part # 704-00004-00

For EH/SEH40, 3" insulation, specify Part # 704-00029-00

Accessories Name

Part #

Accessories Name

Part #

All information is subject to change without notice. Consult factory for submittal drawings.

Notes

