



NX
PRIME SERIES

High Efficiency Gas Condensing Water Heater

High efficiency burner, 316L SS
ASME heat exchanger, BTU input
from 200,000 to 800,000 MBH

Up to 8:1 turndown

Numerous venting options

Natural gas or propane

BMS integration via open
communication protocol

Minimal space required

Feature rich interface using touch
panel controller

Scale reducing design

- Low pressure drop
- Scalable up to 8 Prime NX water heaters for up to 6.4 million BTUs
- Innovative floor to tank mount configuration provides exceptional access to all components
- Increased serviceability
- Offers the flexibility of multiple BTU inputs and unlimited storage configurations

Applications

Office buildings, schools, hospitals,
industrial facilities, hotels, and much more.



Thermal efficiency rating of 96%

The Hubbell Prime NX is a heavy-duty, fully condensing commercial gas water heater coupled with a long lasting cement lined Hubbell storage tank. The Hubbell design achieves a thermal efficiency rating of 96% and is available with inputs ranging from 200 – 800 MBH. The NX combines the best of both worlds by combining a high efficiency, high recovery gas water heater with a properly sized cement lined storage tank, reducing energy consumption, short-cycling, and stand-by heat loss.

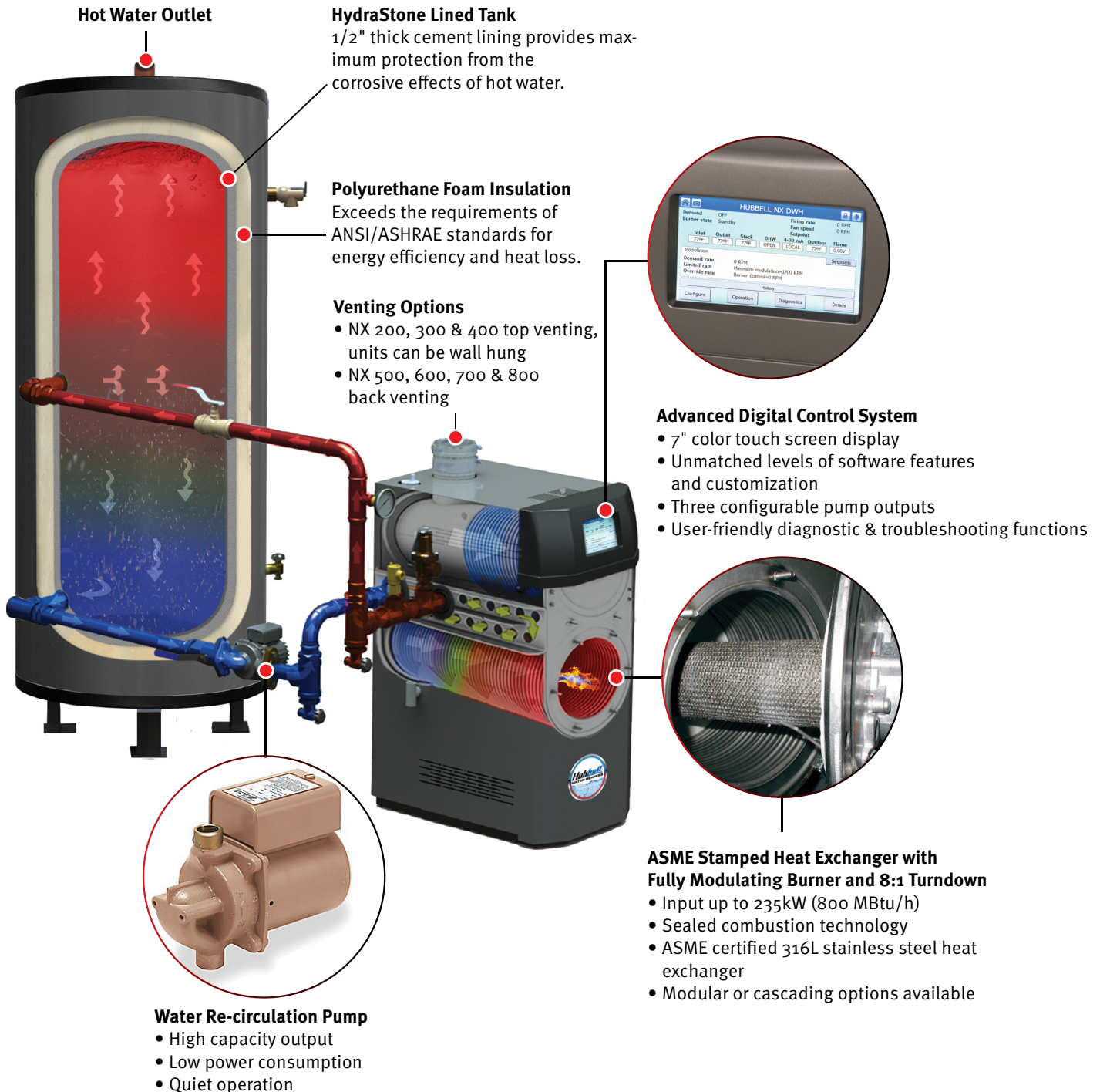
Over 100 years of water heating expertise

Hubbell water heaters are the right choice for your commercial and industrial applications. We have water heating solutions for most energy sources with storage capacities from 1–10,000 gallons — all designed, engineered, and manufactured for reliability and longevity coupled with unparalleled support and service.

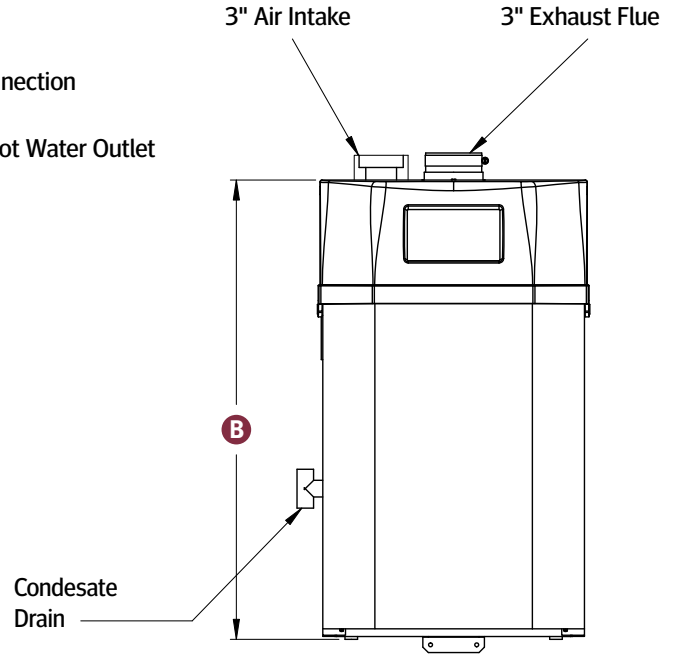
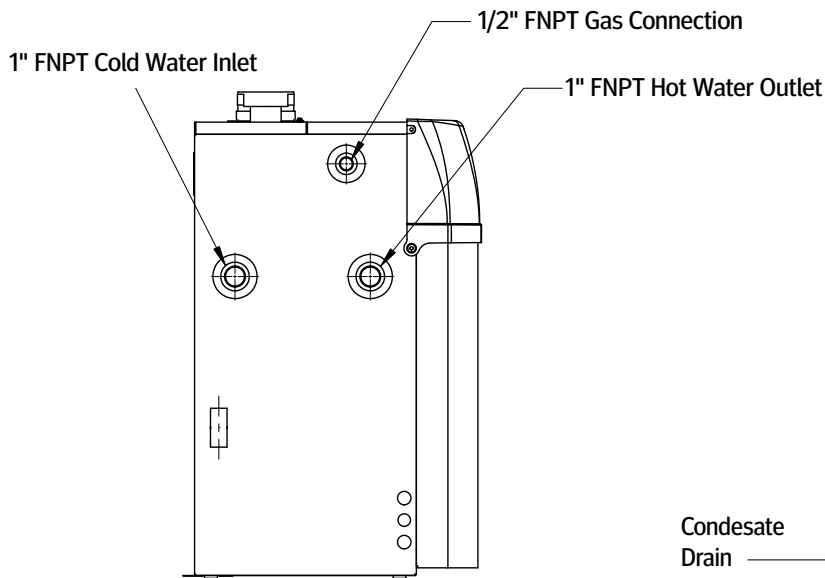
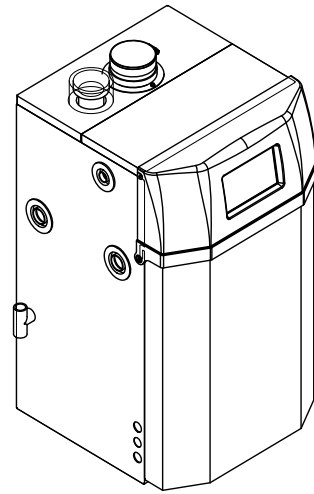
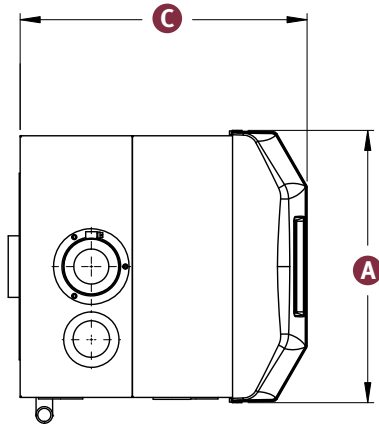


How it Works

The Hubbell Prime NX gas water heating system offers a state-of-the-art modulating combustion system with innovative floor and wall-mount configurations, providing exceptional access to all components. The NX can be integrated with Hubbell's long lasting cement lined storage tank, giving you a product built for demanding commercial/industrial applications. The NX advanced digital control system and spark ignition with dual electrodes and high-output transformer, provides unparalleled ignitions. Hubbell's 316L stainless steel ASME certified heat exchanger with fully modulating burner is integrated into a high-quality cabinet with corrosion resistant clear coat finish.



Dimensions



Prime NX Dimensional Data

NX SPECIFICATIONS	NX200	NX300	NX400	NX500	NX600	NX700	NX800
"A" Cabinet Width (inches)	17 3/4"						
"B" Cabinet Height (inches)	29.5"	36"	36"	43"	37"	37"	37"
"C" Cabinet Depth (inches)	18.5"	21.5"	24"	32.5"	47.5"	63.6"	63.6"

All information is subject to change without notice. Consult factory for submittal drawings.

NX Standard Features

- High efficiency burner
- Category 4 venting (PVC, Polypropylene)
- Sealed combustion
- Alarm contacts
- Flow switch (Models NX500-800)
- ASME H (Models NX200-400, NX600)
- ASME HLW (Models NX500, NX700, NX800)
- Field convertible to Propane 200 to 500 MBH
- Warranty: 5 Year NX / 10 Year Hubbell HydraStone Storage Tank


NX SPECIFICATIONS	200	300	400	500	600	700	800
Minimum Pump GPM	16	24	32	40	48	56	64
Restriction Head Loss @ Min Flow	16	16	20	25	23	19	25
Recovery Rating @ 100 Rise°F (GPH)	229	317	460	576	691	806	922
Operating Weight (lbs)	125	180	225	320	380	475	
ASME Stamp	H	H	H	HLW	H	HLW	HLW
Mounting Options	Wall or Floor Mount			Floor Mount Only			
Minimum Storage Tank Required (gallons)	40	60	80	100	120	140	160

Notes:

1. Listed input and output ratings are at minimum vent lengths at sea level. Numbers will be lower with longer venting and/or altitudes greater than 2000 feet.
2. Based on standard test procedures prescribed by the U.S. Department of Energy Electrical rating 120V/ Phase / 60Hz / 12A

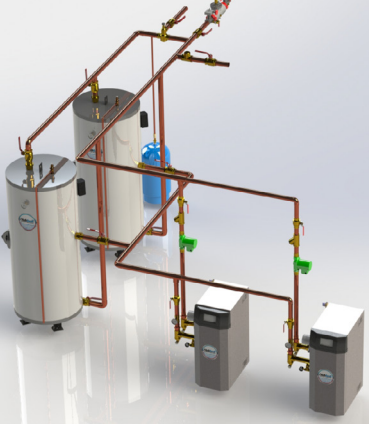
NX Piping Layouts

Two(2) Hubbell Prime NX water heaters piped to a single Hubbell HydraStone cement lined hot water storage tank.



Up to eight(8) water heaters can be piped in common. Please consult chart above for minimum storage requirements.

Two(2) Hubbell Prime NX water heaters piped to two(2) Hubbell HydraStone cement lined hot water storage tanks.

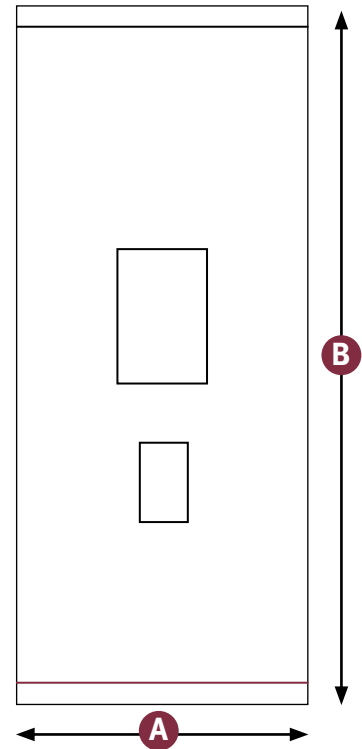


Up to eight(8) water heaters can be piped in common and any number of domestic hot water storage tanks may be utilized. Please consult chart above for minimum storage requirements.

All information is subject to change without notice. Consult factory for submittal drawings.

Hubbell Cement Lined Storage Tank

Hubbell storage tanks can be customized for any application, water type, or area classification. They are manufactured with a specially formulated HydraStone cement lining and non-ferrous threaded tank openings which make them reliable and long lasting.



Actual Storage Capacity (Gallons)	40	65	80	120	160	200	250	300	400	500	600	700	800	900	1000	1250
Vertical Dimensions (Inches) "A"	20	26	28	28	30	34	40	40	46	52	52	52	52	52	52	58
Vertical Dimensions (Inches) "B"	59	28	55	75	81	82	74	88	85	82	95	107	119	132	145	149
Inlet Outlet Sizing (NPT)	1.5	1.5	1.5	1.5	1.5	1.5	1.5	1.5	1.5	2	2	2	2	2	2	2
Approx. Shipping Weight (Lbs)	240	310	700	900	1250	1700	1820	2180	2700	3225	3650	4000	4300	4800	5200	5600

Note: All dimensions are approximate and subject to change. Please reference the submittal drawing for actual dimensions. The tank selections above are shown for convenience. A full selection of storage capacities is available.

All information is subject to change without notice. Consult factory for submittal drawings.

Configurations

The Hubbell Prime NX can be configured in several ways. It can be a “heater only” to replace an existing heater. It can be manifolded with up to eight units or 6.4 million BTUs. The Prime NX can also be a complete “turn key” system, including pumps, storage tank(s) and pre-piped manifold. The Prime NXT is a fully integrated package available in BTU input from 200, 300, and 400 MBH with a tank attached. Learn more about the [Prime NXT](#) and [download the brochure](#). Hubbell can design and build a system to meet nearly any footprint or demand requirement.

Below are our most common configurations.



Skid-Based System

The skid-based system is ready to plumb to existing storage tanks, including piping and pump systems.



Turn-Key System Package System

The integrated system is a complete turn-key package that includes our HydraStone cement lined tank, interconnected piping, pumps, valves and skid base.



Hubbell Prime NXT

A complete stand-alone integrated package assembled at the factory and ready for system integration and installation. When configured this way the NX becomes the Prime NXT. Learn more about the [Prime NXT](#).



Prime NX Number Designation

MODEL	MODEL NUMBER	OPTIONAL EQUIPMENT
NX	200	Write/type optional equipment code in the gray box below in alphabetical order. For multiple options separate codes with a dash (-)
	300	
	400	
	500	
	600	
	700	
	800	

NX —

Example: NX300-C36

A Hubbell Prime NX 300 MBTU input with optional BACnet Gateway Module

For an integrally mounted storage tank see the Hubbell Prime NXT.



Optional Equipment

Optional equipment must be called out in the written specifications, use the codes below.

Controller

- C36** BACnet Gateway Module
- C37** Lontalk Gateway Module

Please note:

Optional equipment may impact overall dimensions and weight. Please request submittal drawing from factory.

Available Accessories

(Use part numbers below to order accessories.)

Flow Switch: (Models NX200-400) Specify Part # FS-200-W

Indoor Combustion Air Kit: Specify Part # HUB84093

Pump Kits

Base Model	Recommended Pump	Specify Part #
NX200	16GPM @ 16'	NX200 PUMP KIT
NX300	24GPM @ 16'	NX300 PUMP KIT
NX400	32GPM @ 20'	NX400 PUMP KIT
NX500	40GPM @ 25'	NX500/600 PUMP KIT
NX600	48GPM @ 23'	NX500/600 PUMP KIT
NX700	56GPM @ 19'	NX700 PUMP KIT
NX 800	64GPM @ 25'	NX800 PUMP KIT

Accessories Name _____

Part # _____

Accessories Name _____

Part # _____

Accessories Name _____

Part # _____