

## ASME Process Water Heater

**For industrial applications,  
all voltages, single or three  
phase up to 88 kW**

**Stainless steel ASME Section VIII stamped  
pressure vessel provides maximum longevity  
and quality**

**Heavy duty construction withstands  
demanding industrial use**

**Packaged with all electrical operating  
controls for efficient installation**

- Easy to service – when replacing a part no other part needs to be removed
- Small reserve capacity lowers peak power demand and reduces operating costs in systems with ON/OFF cyclical demand
- Most units are easily upgradable for future expansion
- A full range of styles, sizes and optional features are readily available to meet your exact heating needs

### Applications

Washing/cleaning systems, OEM packages, heat transfer systems, freeze protection, sanitizing systems, process heating, water treatment systems.



PROCESS SERIES

### A reliable industrial process water heater

The Hubbell Process V is a dependable and trouble-free water heater in continuous, cyclical or variable flow systems. The Process V has a stainless steel ASME stamped pressure vessel that resists the corrosive effects of hot water and provides maximum longevity. We use high quality materials and components to ensure reliable operation in even the most demanding application. The Process V is ready for immediate installation and service and all electrical operating controls are factory selected, sized and wired.

### Over 100 years of water heating expertise

Hubbell water heaters are the right choice for your commercial and industrial applications. We have water heating solutions for most energy sources with storage capacities from 1–10,000 gallons — all designed, engineered, and manufactured for reliability and longevity coupled with unparalleled support and service.



# Why Install A Hubbell Industrial Grade Water Heater?

## Reliability

The Hubbell Process V heater is designed to provide many years of operation. The tank is all stainless steel construction and is engineered, constructed and stamped in strict conformance to ASME Section VIII.

## Lower Operating Costs

The pressure vessel used in the Hubbell Process V is encapsulated in environmentally friendly CFC/HCFC free closed cell foam insulation to minimize stand-by heat loss. This high quality insulation reduces heat loss by more than half when compared to fiberglass type insulation.

## Advanced Construction

- Trouble-free system integration, operation, and maintenance
- Digital temperature control
- Adjustable from 32–194°F (0°–90°C) with adjustable temperature differential
- Includes a float type low water cut off to prevent the heating elements from dry firing
- Internal leak detection sensor notification if water is present in the control cabinet
- For ease of service and maintenance, when a component is removed for service no other component needs to be removed
- All sensing functions are integrated into one probe
- Heating element and sensing probe are straight thread screw types that utilize a Viton O-ring to minimize leakage problems



All sensing functions are integrated into one probe which can be replaced without draining the tank

Brushed stainless steel exterior increases life and resists corrosion

Magnetic contactor  
Resettable circuit breakers (on units over 120 amps) replace one-shot fuses

Closed cell foam insulation lowers operating costs

Single point power connection

Leak detection system notifies the user if water is detected inside the control area



Electronic control module integrates all control functions into one component

ASME stamped 304L stainless steel tank for extended life

Screw plug elements simplify service



Digital display provides visual set point and fault conditions. Operator controls are easily accessible including ON/OFF, reset, and temperature adjustment

## Heater Specifications

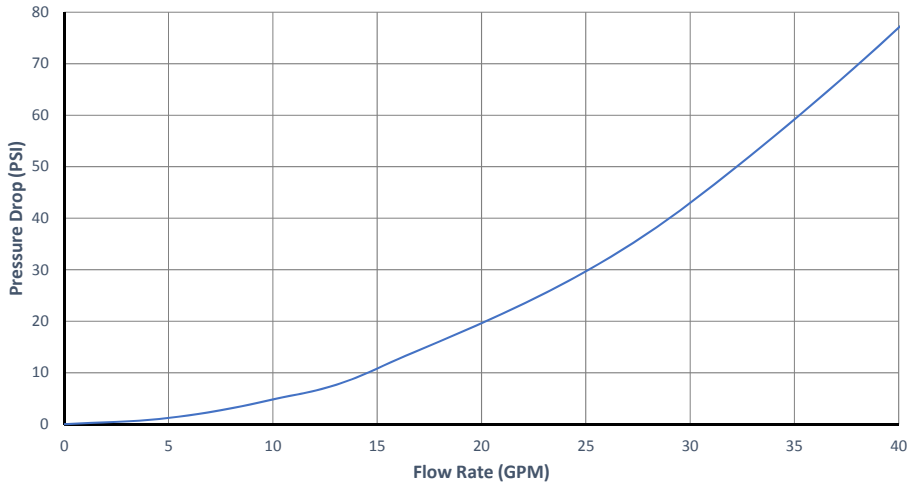
<b>Vessel</b>	304L stainless steel
<b>Storage Capacity</b>	6 or 16 gallons
<b>Voltage</b>	120–600 volt
<b>Phase</b>	1Φ or 3Φ
<b>Connections (1–58kW)</b>	
Material	Bronze
Inlet	¾" Male NPT
Outlet	¾" Male NPT
Relief Valve	¾" Female NPT
<b>Connections (64–88kW)</b>	
Material	Bronze
Inlet	1-½" Male NPT
Outlet	1-½" Male NPT
Relief Valve	1" Female NPT
<b>Temperature Controller</b>	
Type	Solid state
Style	Immersion
Range	32–194°F (0–90°C)
<b>Hi-Limit</b>	
Type	Solid state
Style	Immersion
Reset	Manual
Range	205°F (fixed)

<b>Heating Element</b>	
Type	Screw plug with Buna-N o-ring
Style	Tubular
Sheathing	Copper with brass plug
<b>Controller</b>	
Degrees	°F or °C (default °F)
Differential	1°–20° (default 2°)
Display	Shows set point or actual temperature (default set point)
Low Water Sensing	On or Off (Default: On)
Low Water Reset	Manual or Automatic (Default: Automatic)
Staging	Up to 3 stages
<b>Magnetic Contactor</b>	
Type	Definite purpose
<b>Control Circuit</b>	208/240 volt
<b>Internal Wiring</b>	Tefzel 750 200°C
<b>Digital Display</b>	3-digit 7 segment LED display
<b>Fault Indicators</b>	Low water Hi-temperature No probe Leak detection
<b>Low Water Type</b>	Conductivity
<b>Design WP</b>	150 psi
<b>Design TP</b>	225 psi
<b>Relief Valve</b>	
Approvals	ASME/CSA
Temperature	210°F
Pressure	150 psi
Material	Bronze
<b>Insulation</b>	CFC/HCFC free Closed cell foam
<b>Outer Jacket</b>	304L stainless steel
<b>Warranty</b>	
Vessel	3 years
Electrical	1 year

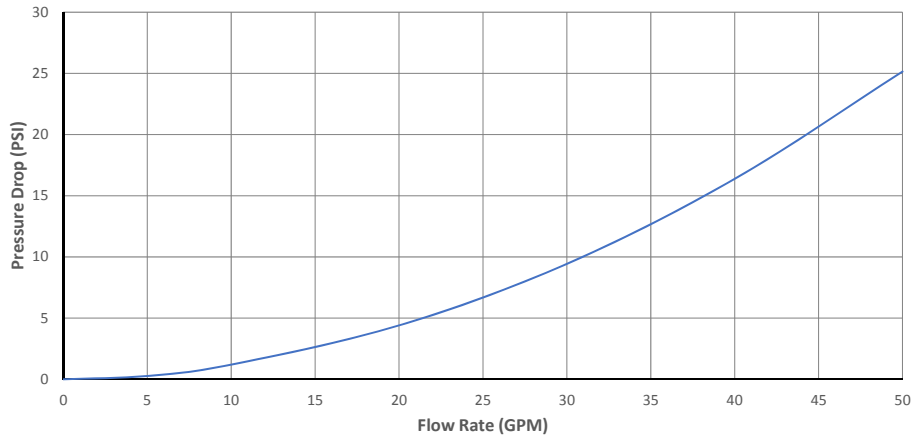
All information is subject to change without notice. Consult factory for submittal drawings.

# Pressure Drop Charts

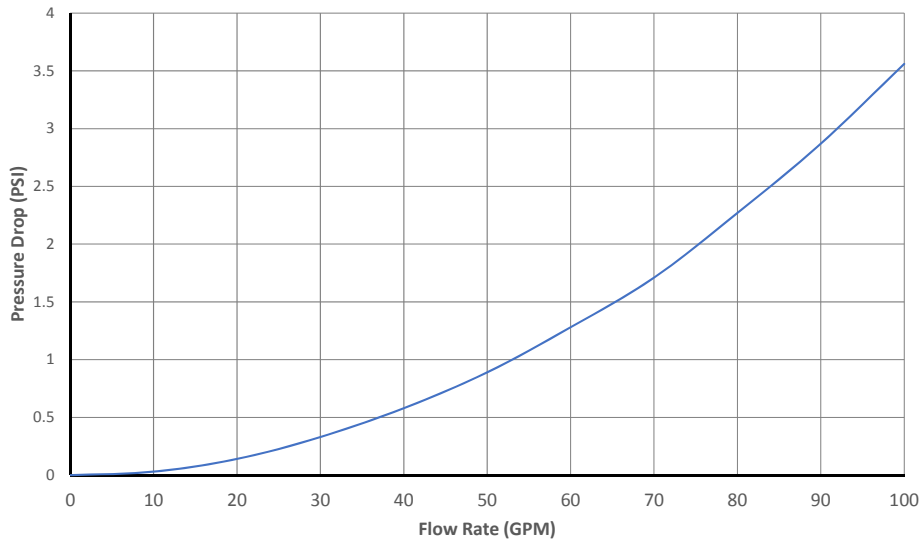
### V6 Pressure Drop



### V16 (Up to 58.5 kW) Pressure Drop



### V16 (Over 58.5 kW) Pressure Drop



All information is subject to change without notice. Consult factory for submittal drawings.

## Voltage De-Rating Factors

Rated Voltage	Applied Voltage	De-Rating Factor
600	575	92%
600	550	84%
480	460	92%
480	440	84%
240	230	92%
240	220	84%

When the actual supply voltage (applied voltage) is different than the design voltage (rated voltage) the resulting kW output will be affected. Please see the chart for typical voltage de-rating factors or use the following formula.

$$\frac{\text{Applied Voltage}^2}{\text{Rated Voltage}^2} \times \text{Rated kW} = \text{kW output at applied voltage}$$

## Process V kW and Amperage Selection Charts

**6 Gallon** (Amperage shown in chart below indicates available models)

kW	1 Phase Voltages				3 Phase Voltages			
	120	208	240	480	208	240	480	600
1	8							
1.5	13							
2	17							
3	25							
4		19	17	8				
5		24	21	11				
6		29	25		17	14	7	6
7		34	29		19	17	8	7
9		43	38		25	22	11	9
10.5		50	44		29	25	13	10
12		58	50		33	29	14	12
13.5		65	56		38	33	16	13
15		72	63		42	36	18	14
18		87	75		50	43	22	17
24		115	100		67	58	29	23
27		130	113		75	65	33	26
30		144	125		83	72	36	29
36		173	150		100	87	43	35
39		188	163		108	94	47	38
40.5		195	169		113	98	49	39
45			188		125	108	54	43
54					150	130	65	52
58.5					163	141	70	56

All information is subject to change without notice. Consult factory for submittal drawings.

## Process V kW and Amperage Selection Charts

### 16 Gallon with ¾" Inlet and Outlet

(Amperage shown in chart below indicates available models)

kW	1 Phase Voltages				3 Phase Voltages			
	120	208	240	480	208	240	480	600
1	8							
1.5	13							
2	17							
3	25							
4		19	17	9				
5		24	21	11				
6		29	25		17	14	7	6
7		34	29		19	17	8	7
9		43	38		25	22	11	9
10.5		50	44		29	25	13	10
12		58	50		33	29	14	12
13.5		65	56		38	33	16	13
15		72	63		42	36	18	14
18		87	75		50	43	22	17
24		115	100		67	58	29	23
27		130	113		75	65	33	26
30		144	125		83	72	36	29
36		173	150		100	87	43	35
39		188	163		108	94	47	38
40		192	167		111	96	48	39
45			188		125	108	54	43
54					150	130	65	52
58.5					163	141	70	56

### 16 Gallon with 1-½" Inlet and Outlet

(Amperage shown in chart below indicates available models)

kW	3 Phase Voltages			
	208	240	480	600
64	178			
68		164	82	66
81	225	195	98	
86	239			83
88		212	106	

All information is subject to change without notice. Consult factory for submittal drawings.

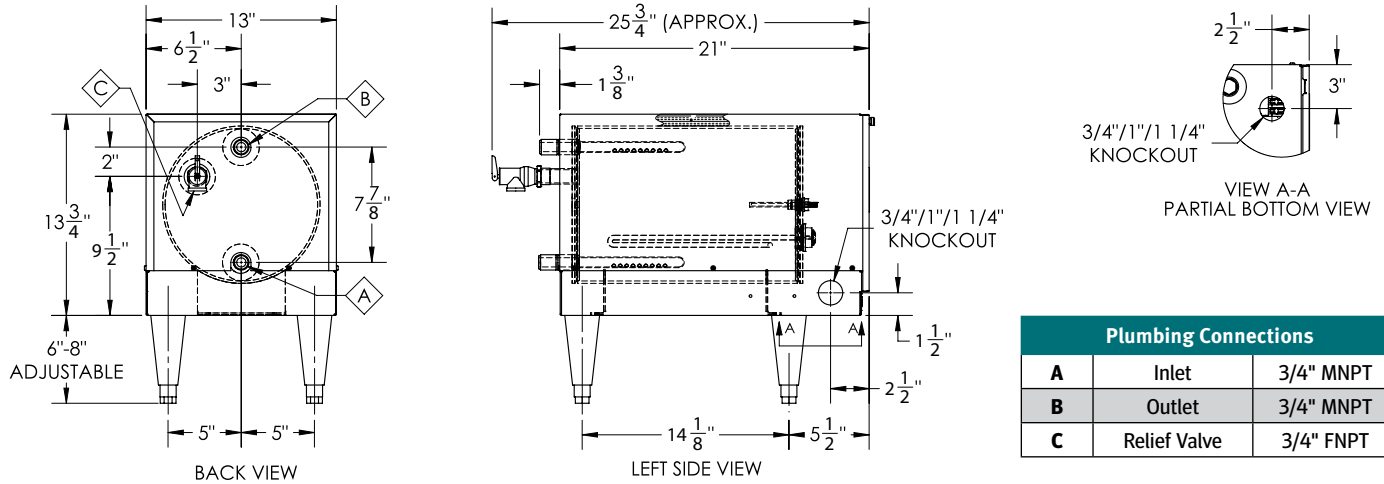
## Recovery ratings in GPM

kW Rating	Recovery Rate in GPM for °F Temperature Rise Listed Below (°ΔT)						
	20°	40°	60°	80°	100°	120°	140°
1	0.3	0.2	0.1	0.1	0.1	0.1	0.0
1.5	0.5	0.3	0.2	0.1	0.1	0.1	0.1
2	0.7	0.3	0.2	0.2	0.1	0.1	0.1
3	1.0	0.5	0.3	0.3	0.2	0.2	0.1
4	1.4	0.7	0.5	0.3	0.3	0.2	0.2
5	1.7	0.9	0.6	0.4	0.3	0.3	0.2
6	2.0	1.0	0.7	0.5	0.4	0.3	0.3
7	2.4	1.2	0.8	0.6	0.5	0.4	0.3
9	3.1	1.5	1.0	0.8	0.6	0.5	0.4
10.5	3.6	1.8	1.2	0.9	0.7	0.6	0.5
12	4.1	2.0	1.4	1.0	0.8	0.7	0.6
13.5	4.6	2.3	1.5	1.2	0.9	0.8	0.7
15	5.1	2.6	1.7	1.3	1.0	0.9	0.7
18	6.1	3.1	2.0	1.5	1.2	1.0	1.9
24	8.2	4.1	2.7	2.0	1.6	1.4	1.2
27	9.2	4.6	3.1	2.3	1.8	1.5	1.3
30	10.2	5.1	3.4	2.6	2.0	1.7	1.5
36	12.3	6.1	4.1	3.1	2.5	2.0	1.8
39	13.3	6.7	4.4	3.3	2.7	2.2	1.9
40.5	13.8	6.9	4.6	3.5	2.8	2.3	2.0
45	15.4	7.7	5.1	3.8	3.1	2.6	2.2
54	18.4	9.2	6.1	4.6	3.7	3.1	2.6
58.5	20.0	10.0	6.7	5.0	4.0	3.3	2.9
64	21.8	10.9	7.3	5.5	4.4	3.6	3.1
68	23.2	11.6	7.7	5.8	4.6	3.9	3.3
81	27.6	13.8	9.2	6.9	5.5	4.6	3.9
86	29.3	14.7	9.8	7.3	5.9	4.9	4.2
88	30.0	15.0	10.0	7.5	6.0	5.0	4.3

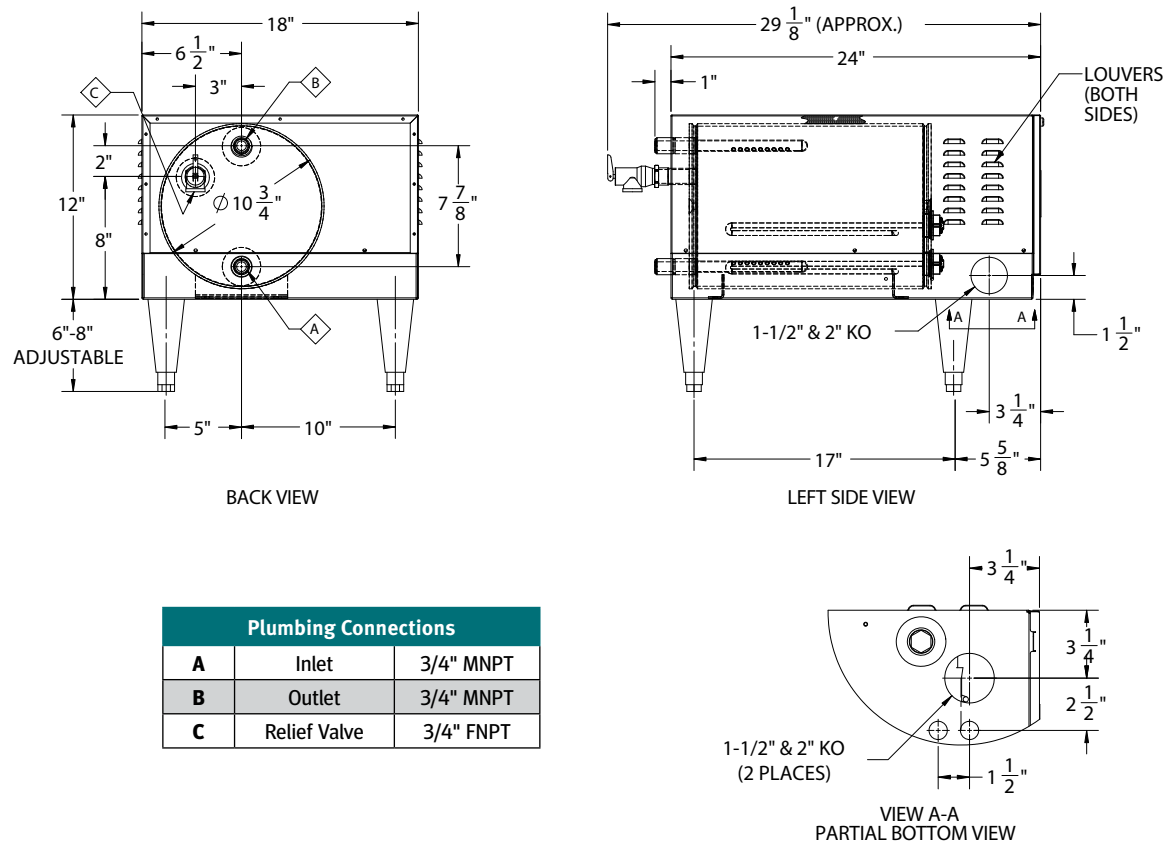
All information is subject to change without notice. Consult factory for submittal drawings.

## Dimensions

**Process V6–(1 to 18 kW)** Sample dimensions are for a V612T



**Process V6–(24 to 58 kW)** Sample dimensions are for a V658T4

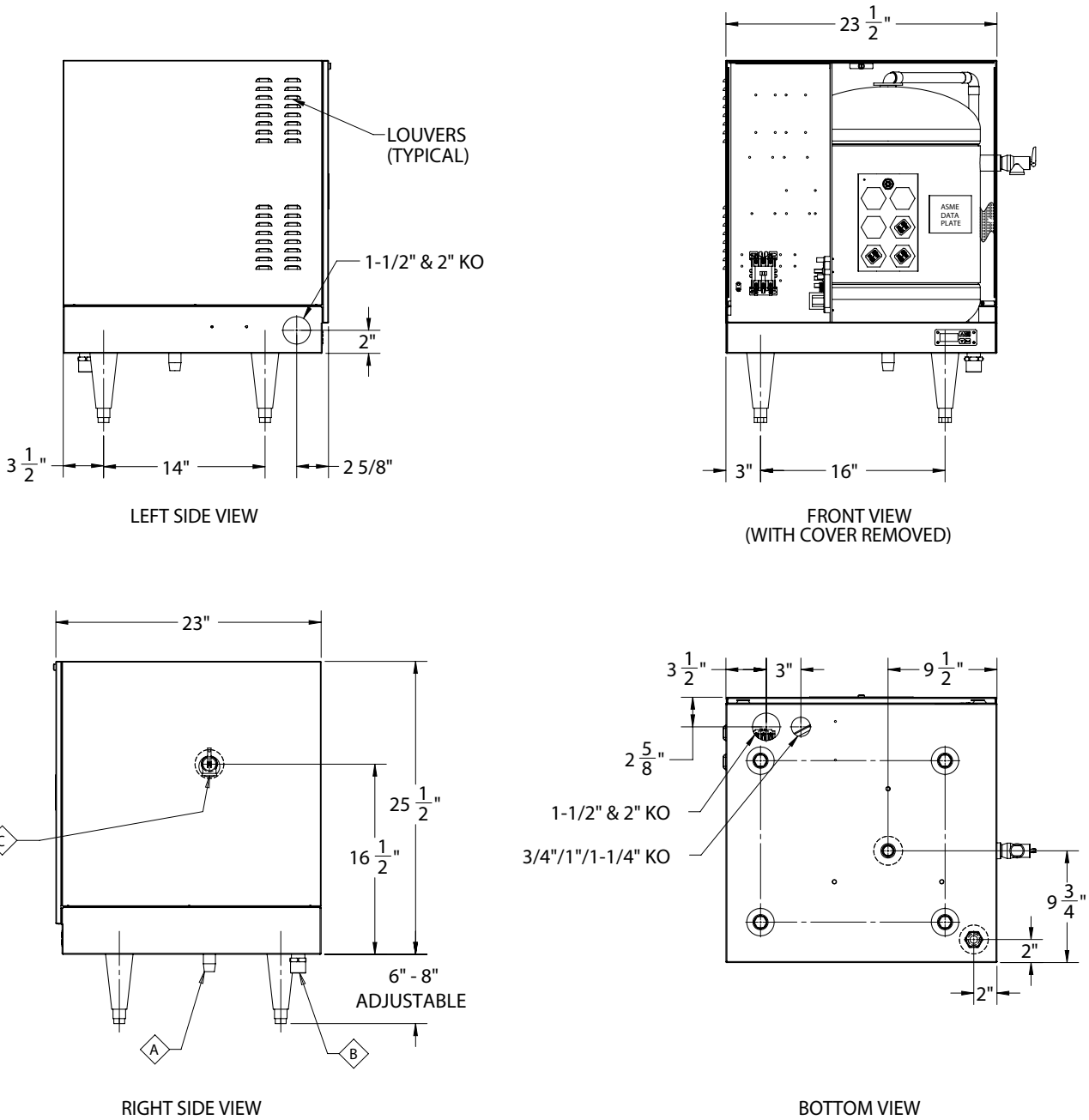


All information is subject to change without notice. Consult factory for submittal drawings.



## Dimensions

**Process V16** Sample dimensions are for a V1612R



Plumbing Connections		
<b>A</b>	Inlet	3/4" MNPT
<b>B</b>	Outlet	3/4" MNPT
<b>C</b>	Relief Valve	3/4" FNPT

All information is subject to change without notice. Consult factory for submittal drawings.



**Example:** A parts wash station requires 4 GPM of 160°F DI water. The entering cold water is 60°F. The rinse cycle is on for 5 minutes at full flow and then off for 10 minutes. The power available is 480-volt 3 phase.

**Step 1**

Solve for variables

1. Flow Rate: 4 GPM
2. Cycle Time On: 5 Minutes
3. Cycle Time Off: 10 Minutes
4. Total Cycle Time: 15 Minutes
5. Gallons Per Cycle: 20 Gallons
6. Cold Water: 60°F
7. Hot Water: 160°F

**Step 2:** Gallons per cycle is 20, therefore the V16 Base Model is used and variable Y=13

**Step 3:**  $20 - 13 = 7 \div (5 \times .80) = 1.75 \times 1.15 = 2.0 \text{ GPM}$

**Step 4:**  $2.0 \times 15 = 30 - 20 = 10 > 0$

**Step 5:** Not required because step 4 is true

**Step 6:** From the recovery rating selection chart go to the 100°FΔT column and select the kW that will provide at least 2.0 GPM as determined in Step 3.

In this case, select the 36 kW size and the V16 Model as determined in Step 2.

Specify Model V1636T4

**Note:** In comparison an instantaneous design would require a 58 kW heater.



## Packaged System Option

### Fully Packaged Systems

- Engineered and built to meet your exact needs
- Factory integrated system simplifies installation
- Factory selected components ensures reliable performance as a system

Contact Factory Sales Engineer to discuss your Packaged System

*Left: A 58kW 480V 3Φ packaged system with dual hot water pumps and integrated SCR heater and pump control panel. Factory wired, piped, skid mounted and tested.*

The Hubbell Process V also plays an important role in our Omni HHP Heat Pump System. For more information on the Omni HHP contact [sales@hubbellheaters.com](mailto:sales@hubbellheaters.com)

## Process V Model Number Designation

MODEL	See charts on pages 5 & 6	VOLTAGE / PHASE		OPTIONAL EQUIPMENT
	kW RATING			
<b>V6</b>	1-88	<b>A</b> = 120/1	<b>R</b> = 208/3	Write/type optional equipment code in the gray box below in alphabetical order. For multiple options separate codes with a dash (-)
<b>V16</b>		<b>RS</b> = 208/1	<b>T</b> = 240/3	
		<b>S</b> = 240/1	<b>T3</b> = 380/3	
		<b>W</b> = 277/1	<b>T7</b> = 415/3	
		<b>T4S</b> = 480/1	<b>T5</b> = 440/3	
			<b>T4</b> = 480/3	
			<b>T6</b> = 600/3	

### Example: V645T4-C52

An industrial Hubbell Process V water heater with 6 gallons storage capacity, 45 kW rated at 480 volt 3 phase 60 Hz power with optional alternate high temperature set point.

## Optional Equipment

**Note:** Optional equipment must be called out in the written specifications, use the codes below.

### Controller

- C35** BACnet Communication Module with T1000 Digital Controller
- C49** Solid State Power Controllers for Increased Temperature Accuracy
- C51** Remote Control Display, Allows the Heater to be Installed in a Remote Location. The 3" X 5" NEMA 4 Display Enclosure can be Located up to 25' from the Heater
- C52** Alternate High Temperature Setpoint
- C53** Low Temperature Interlock Alarm
- C54** Alarm Contact for Hi-Limit or Low Water Condition (Specify N.O. or N.C.)
- C55** Low Temp Alarm Dry Contact
- C56** High Temp Alarm Dry Contact
- C58** 24V Interlock Adapter

### Electrical

- E7** 316L Stainless Steel Heating Elements

### General

- G42** Flanged Toe Stainless Steel Legs

### Vessel

- V10** 1-1/2" Male NPT Inlet and Outlet Water Connections (V16 Only)
- V12** 1-1/4" Inlet/Outlet
- V40** Flanged Inlet and Outlet Connections (ANSI Class 150, Please Specify Size)
- V41** Alternate Threaded Inlet/Outlet Connections Size (V16 Only)
- V42** Sanitary Connections (Specify Size)
- V44** V6 Recirculation Package - Includes 1-1/4" Inlet/Outlet, BACnet Module, and SSR Controls

**Please note:** Optional equipment may impact overall dimensions and weight. Please request submittal drawing from factory.

## Available Accessories

**10-year Warranty:** 10-year non pro-rated tank warranty, specify part number "VESSEL WARRANTY"

**Slide Brackets:** Slide mount bracket for hanging installation (V6 only), specify part number "SLIDE BRACKETS"

**Protective Cover:** Water resistant rip-stop 18 oz. grey FR vinyl coated polyester scrim cover. Removable and form-fitted with Velcro fasteners and clear window showing digital display. **V6** specify part number "J6-SHROUD," **V16** specify part number "J16-SHROUD"

<b>Accessories Name</b>	<b>Part #</b>
<b>Accessories Name</b>	<b>Part #</b>
<b>Accessories Name</b>	<b>Part #</b>

All information is subject to change without notice. Consult factory for submittal drawings.

H1087-C-20250103